

MEDIUM INTENSITY



MEDIUM INTENSITY OBSTRUCTION LIGHT



According to ICAO - Annex 14 Medium Intensity Obstruction Lights - Type A Ex, B Ex or C Ex - have to be used where the obstacle is particularly large and the height of the surrounding ground is more than 45m in hazardous areas.

Medium Intensity Obstacle Lights Type A Ex and C Ex have to be used alone, whereas Medium Intensity Obstacle Lights, Type B Ex, should be used either alone or in combination with Low Intensity Obstacle Lights, Type B Ex.

The Medium Intensity Obstruction Lights Type A Ex is white flashing.

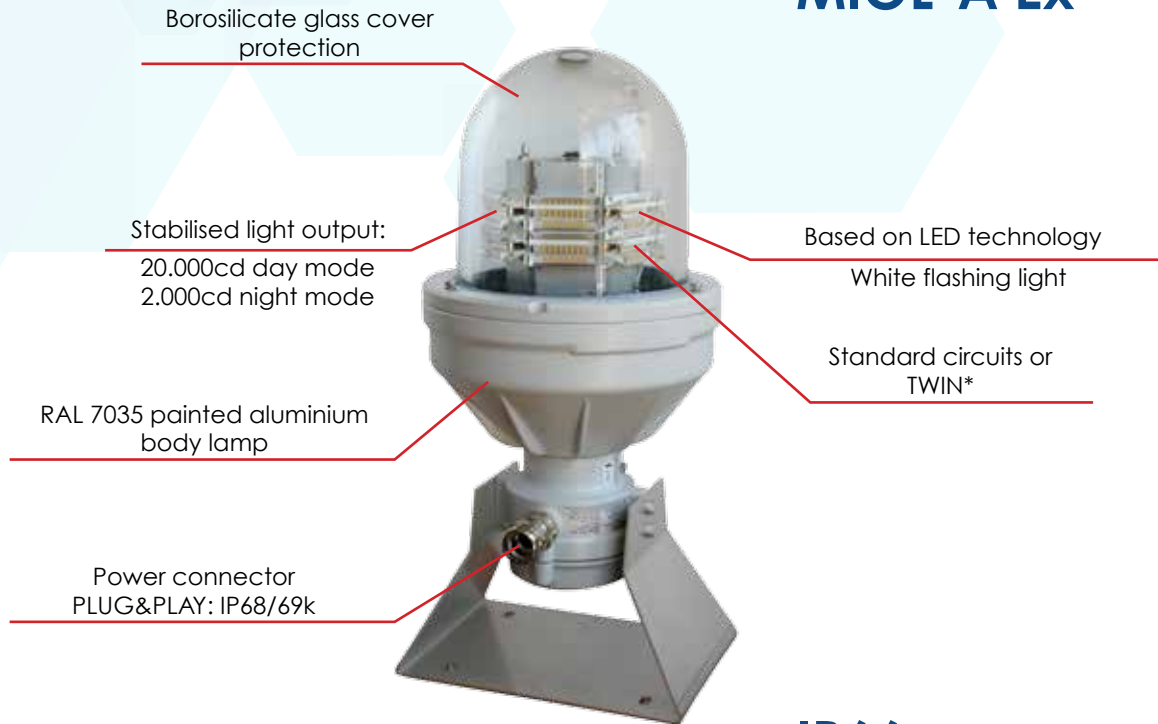
The Medium Intensity Obstruction Lights Type B Ex is red flashing.

The Medium Intensity Obstruction Lights Type C Ex is red steady burning.



MEDIUM INTENSITY

MIOL-A Ex



IP66

* in option

The Medium Intensity Obstruction Light is compliant to ICAO (Medium Intensity – Type A), FAA (Type L-865) and ATEX certified.

Thanks to a **lifetime >10 years** and a **low power consumption**, this beacon is the ideal solution for an **efficient, lightweight** and **compact** obstacle signalling.

MIOL-A Ex emits **white flashing light**.

CERTIFICATIONS



COMPLIANCE



FEATURES



APPLICATION



MEDIUM INTENSITY

MIOL-A Ex TECHNICAL SPECIFICATIONS

OPTICAL FEATURES

- Based on LED technology
- 20.000cd day mode, WHITE flashing
- 2.000cd night mode, WHITE flashing
- Cd emission @ -0,5° and +4°
- Horizontal beam radiation: 360°
- Vertical beam spread: 4°
- PMMA lens (PMMA)
- Light output alignment device
- ATEX execution: Ex II 2GD Ex de IIC T4 Gb
Ex tb IIIC T135°C Db IP66
- IECEx execution: Ex db e IIC T4 Gb
Ex tb IIIC T135°C Db IP66

GENERAL OPTIONS

- Power supply AC or DC
- Horizontal beam radiation: 180°
- GPS (Global Position System) Sincro
- Fault alarm

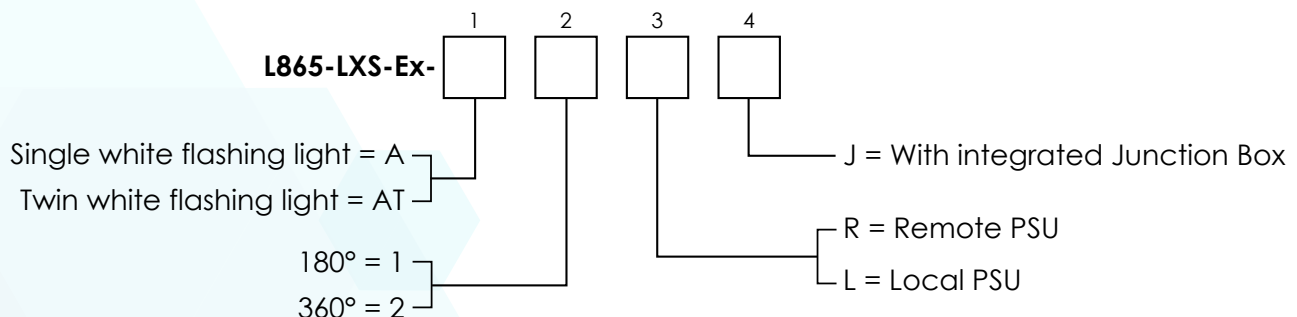
TWIN VERSION OPTIONS

- Twin version: two galvanically separated circuits in the same fixture
- Fault alarm
- Automatic changeover from normal to backup light

MECHANICAL FEATURES

- Borosilicate glass cover protection
- RAL 7035 painted aluminium body lamp
- Degree of protection: IP66
- Operating temperature: -52°C to +60°C
- Storage temperature: -50°C to +60°C
- Lamp unit weight: 15kg

ORDER CODE



ELECTRICAL FEATURES

- Alarm/remote status control
- Electronic control parts installed outside the beacon (see pag. 18)
- Average power consumption (@20fpm):
 - day mode: 45W
 - night mode: 10W
- Average power consumption (@40fpm):
 - day mode: 110W
 - night mode: 13W
- Average power consumption (@60fpm):
 - day mode: 160W
 - night mode: 18W
- LED feeded at constant current
- Lightning protection
- No RF-radiations
- Range section of connectable conductors: da 0,5 a 2,5 mm²

APPLY TO

- Stack - Chimney - Tower crane
- Offshore Platform
- Chemical and petrochemical plant

CERTIFICATIONS

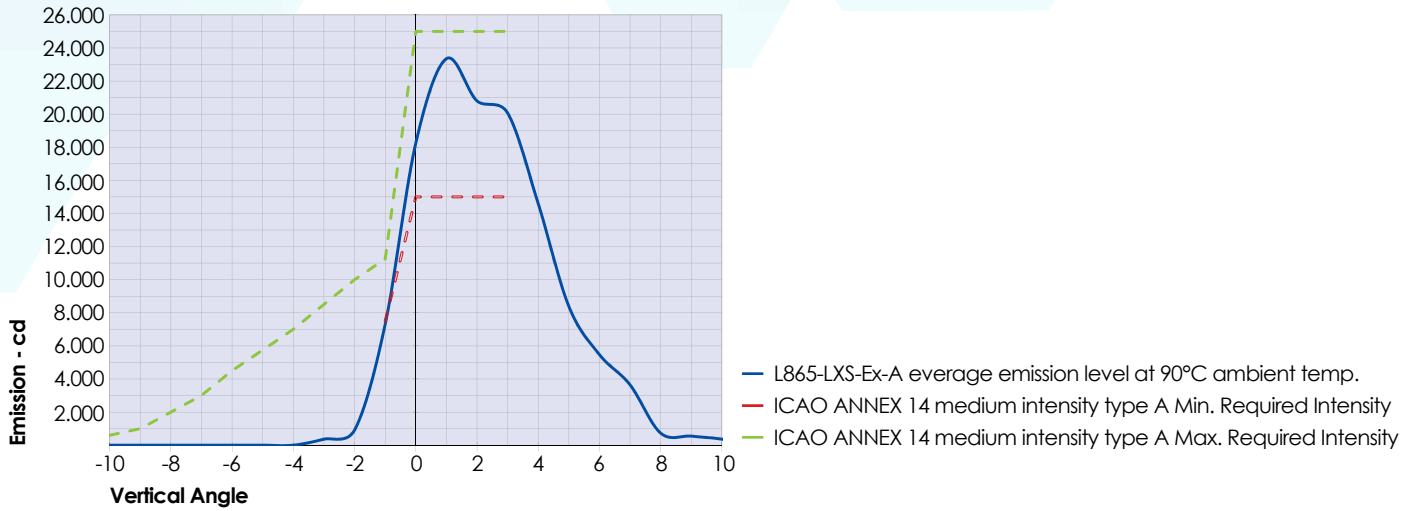
- ATEX certificate no. INERIS 01ATEX0019x
- ENAC approvazione nr. 0135182/ENAC/CIA
- DGAC/STAC approval nr. 2013A037
- IECEx certificate no. IECEx INE_15.0031X
- CE marking

COMPLIANCE

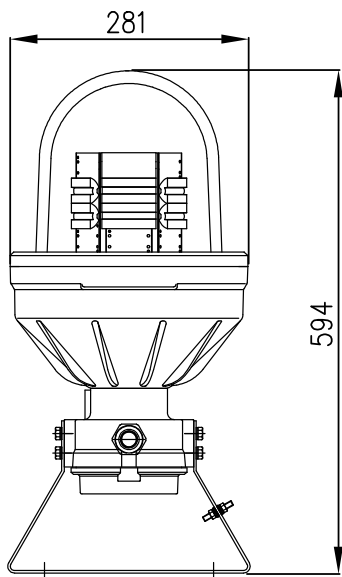
- ICAO Aerodromes -Annex 14 Volume 1, Chapter 6: Medium intensity, Type A flashing obstacle light MIOL-A type
- FAA AC150/5345-43F E.B. #67 Lamp type L-865

MEDIUM INTENSITY

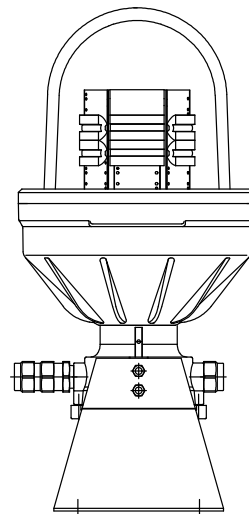
MIOL-A Ex TECHNICAL SPECIFICATIONS



BEACON FRONT VIEW



BEACON SIDE VIEW



FIXING DETAILS

