



GVCH **Model**

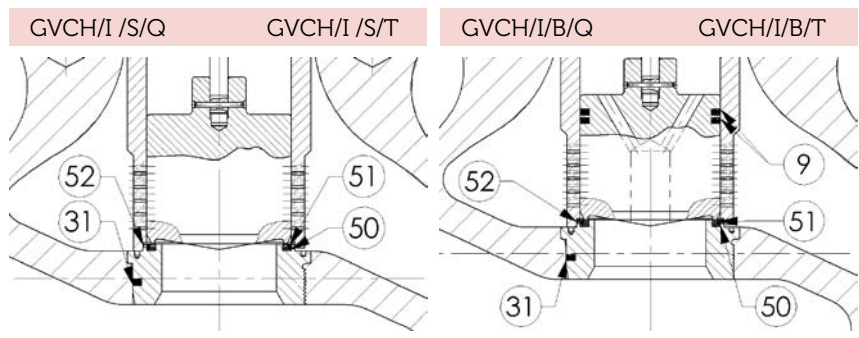
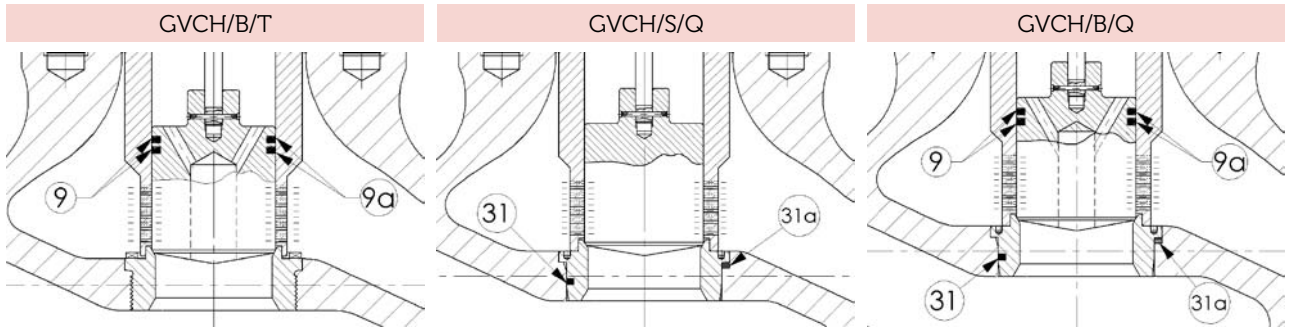
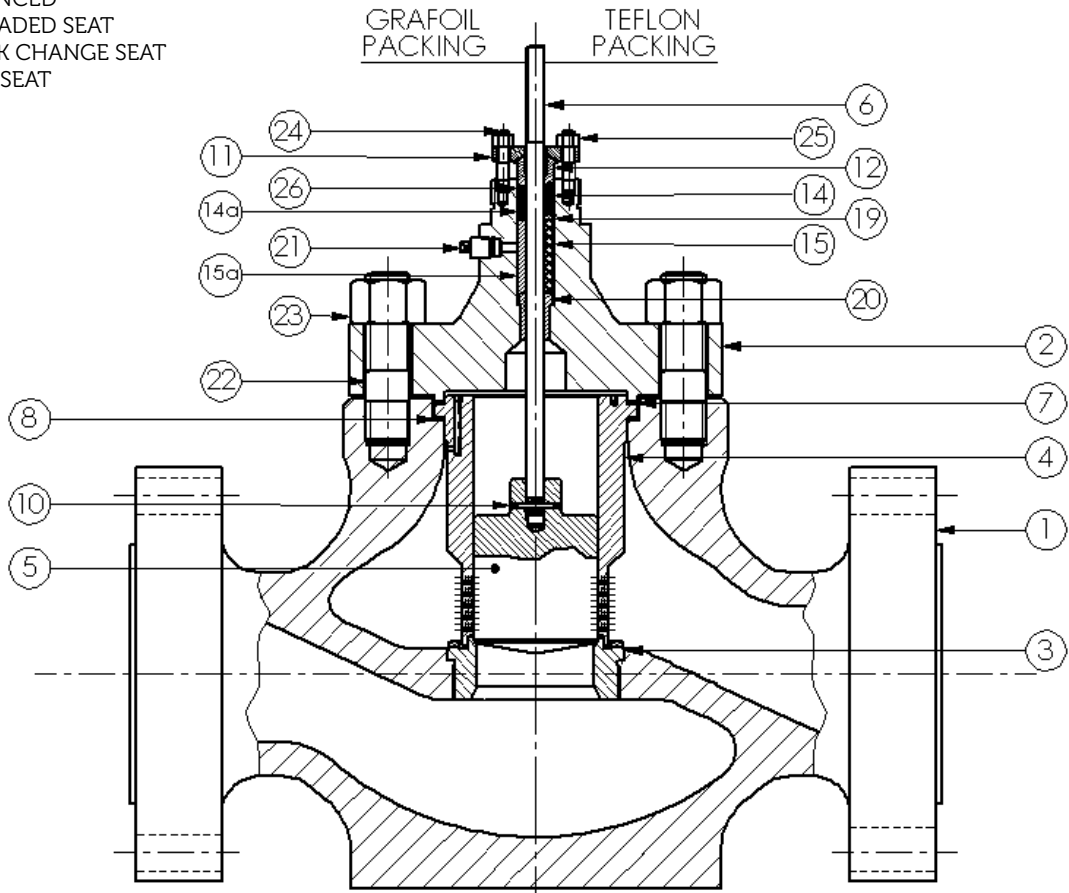
GVCH Model



GVCH/S/T

GVCH
GLOBE VALVE CAGE TRIM

- S - STANDARD
- B - BALANCED
- T - THREADED SEAT
- Q - QUICK CHANGE SEAT
- I - SOFT SEAT



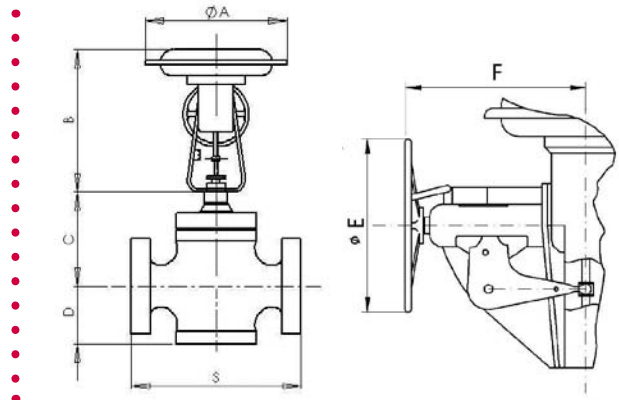
STANDARD MATERIALS		CONFIGURATIONS											
POS.	ITEM	1	2	3	4	5	6						
1	BODY	A216WCB	A352LCB	A217WC6	A217WC9	A351CF8	A351CF8M						
2	BONNET	A105	A350LF2	A182F11	A182F22	A182F304	A182F316						
3	SEAT	TO CHOOSE ACCORDING TO DATA PROCESS AND TRIM MATERIALS TABLE, CONFIGURATIONS FROM "A" TO "C"											
4	CAGE												
5	PLUG												
6	STEM												
7	BONNET-CAGE GASKET							ANSI 150-600 : S.S. 304/316 + GRAPHITE ; ANSI 900-2500 : S.S. 304/316					
8	BODY-CAGE GASKET							ANSI 150-600 : S.S. 304/316 + GRAPHITE ; ANSI 900-2500 : S.S. 304/316					
9	BALANCING RING	LOADED TEFLON + OR VITON (T ≤ 210 °C)											
9a		FULL GRAPHITE / CA6NM NITR.											
10	PIN	S.S. 304/316											
11	GLAND FLANGE	A105				S.S. 304							
12	GLAND	S.S.304/316											
14	PACKING *	TEFLON (T ≤ 210 °C)											
14a		GRAFOIL (T ≤ 560 °C)											
15	SPRING	S.S. 316											
15a	PACKING SPACER	S.S. 304											
19	LOWER ADAPTER RING	S.S. 304											
20	BUSHING	S.S. 440C H.T.				S.S. 17-4 PH							
21	BONNET PLUG	A105				S.S. 304							
22	BODY-BONNET STUDS	A193 Gr. B7	A193 Gr. B8 Cl.1	A193 Gr. B16		A193 Gr. B8 Cl.1							
23	BODY-BONNET NUTS	A194 Gr. 2H	A194 Gr. 8	A194 Gr. 2H		A194 Gr. 8							
24	GLAND FLANGE STUDS	A193 Gr. B7				A193 Gr. B8 Cl.1							
25	GLAND FLANGE NUTS	A194 Gr. 2H				A194 Gr. 8							
26	ANTIEXTRUSION RING	GRAPHITE (T ≤ 560 °C)											
31	SEAT GASKET	LOADED TEFLON + OR VITON (T ≤ 210 °C)											
31a		GRAPHITE (T ≤ 560 °C)											
50	SOFT INSERT	TEFLON DuPONT *											
51	RING	S.S. 304/316											
52	SCREWS	S.S. 304/316											
TRIM MATERIALS		CONFIGURATIONS											
		A		B		C							
3	SEAT	S.S. 316 + STELLITE **		S.S. 17-4 PH H900		A182 F6NM H.T.							
4	CAGE	S.S. 316		S.S. 17-4 PH H1150		A182 F6NM H.T.							
5	PLUG	S.S. 316 + SHEET STELLITE **		S.S. 17-4 PH H900		A182 F6NM H.T.							
6	STEM	S.S. 316		S.S. 17-4 PH H900		S.S. 17-4 PH H900							

NOTES : * DOUBLE PACKING (TEFLON AND GRAFOIL) AND FOR UNDERVACUUM SERVICE ALSO AVAILABLE
 ** : STELLITE HAYNES Gr. 6

Materials according to NACE, UOP, EXXON and other applications are also available on request.

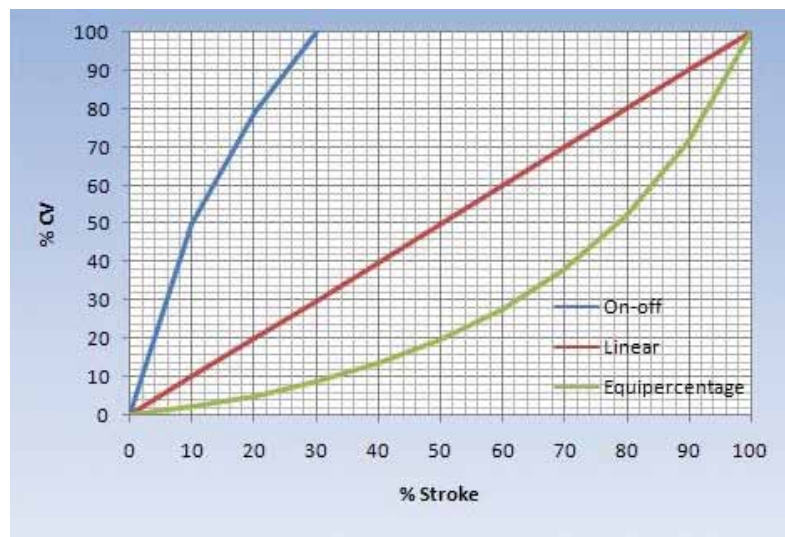
OVERALL DIMENSIONS																
VALVE NPS [in]	ACTUATOR	STROKE [mm]	φA [mm]	B [mm]		C [mm]		D [mm]	φE [mm]	F [mm]	S [mm] (ACC. TO ANSI-ISA 75.08.01)					
				DIRECT	REVERSE	STD	EXTEND.				ANSI 150		ANSI 300		ANSI 600	
											RF	RJ	RF	RJ	RF	RJ
1	11 (N) 13 (N+1)	25	330 382	420	500	180	260	67	255 400	270 380	184	197	197	210	210	210
				560	670											
1 1/2	11 (N) 13 (N+1)	25	330 382	420	500	180	260	83	255 400	270 380	223	235	235	248	251	251
				560	670											
2	11 (N) 13 (N+1)	25	330 382	420	500	180	260	86	255 400	270 380	254	267	267	282	286	289
				560	670											
3	13 (N) 18 (N+1)	40	382 532	560	670	230	310	111	400 570	380 420	299	311	318	333	337	340
				740	890											
4	13 (N) 18 (N+1)	40	382 532	560	670	230	310	146	400 570	380 420	352	365	368	384	394	397
				740	890											
6	18 (N) 24 (N+1)	60	532 640	740	890	280	360	171	570 910	420 740	451	464	473	489	508	511
				1050	1270											
8	18 (N) 24 (N+1)	60	532 640	740	890	315	415	203	570 910	420 740	543	556	568	584	610	613
				1050	1270											
10	24 (N)	100	640	1050	1270	390	490	238	910	740	673	686	708	724	752	755
12	24 (N)	100	640	1050	1270	390	490	251	910	740	737	749	775	790	819	822
14	24 (N)	100	640	1050	1270	550	650	292	910	740	890	902	927	943	972	975
16	24 (N)	100	640	1050	1270	680	780	352	910	740	1016	1029	1057	1073	1108	1111

Electrical and electro-pneumatic actuators also available on request.



FLOW RATE COEFFICIENTS - CV - GVCH								
VALVE DN [in]	STROKE [mm]	TRIM DIMENSIONS [in]	ANSI 150-300-600			ANSI 900-1500-2500		
			SEAT DIAMETER [mm]	CV		SEAT DIAMETER [mm]	CV	
				Equipcentage	Linear		Equipcentage	Linear
1	25	1	24	12	12	19	8 *	8 *
		3/4	19	8	8	15	6	6
		1/2	15	6	6	11	3,8	3,8
		3/8	11	3,8	3,8	9	2,4	2,4
		1/4	9	2,4	2,4	6	2	2
1- 1/2	25	1- 1/2	38	28	28	32	23 *	23 *
		1- 1/4	32	23	23	24	12	12
		1	24	12	12	19	8	8
		3/4	19	8	8	15	6	6
		1/2	15	6	6	11	3,8	3,8
2	25	2	47	45	45	38	28	28
		1- 1/2	38	28	28	32	23	23
		1- 1/4	32	23	23	24	12	12
		1	24	12	12	19	8	8
		3/4	19	8	8	15	6	6
3	40	3	72	110	110	57	80	80
		2- 1/2	57	80	80	47	45	45
		2	47	45	45	38	28	28
		1- 1/2	38	28	28	32	23	23
		1- 1/4	32	23	23	24	12	12
4	40	4	97	170	170	72	110	110
		3	72	110	110	57	80	80
		2- 1/2	57	80	80	47	45	45
		2	47	45	45	38	28	28
		1- 1/2	38	28	28	32	23	23
6	60	6	147	360	360	122	240	240
		5	122	240	240	97	170	170
		4	97	170	170	72	110	110
		3	72	110	110	57	80	80
		2- 1/2	57	80	80	47	45	45
8	60	8	187	550	590	147	360	360
		6	147	360	360	122	240	240
		5	122	240	240	97	170	170
		4	97	170	170	72	110	110
		3	72	110	110	57	80	80
10	100	10	236	780	880	187	550 *	590 *
		8	187	550	590	147	360 *	360 *
		6	147	360	360	122	240 *	240 *
		5	122	240	240	97	170 *	170 *
		4	97	170	170	72	110 *	110 *
12	100	12	277	1080	1200	236	780 *	880 *
		10	236	780	880	187	550 *	590 *
		8	187	550	590	147	360 *	360 *
		6	147	360	360	122	240 *	240 *
		5	122	240	240	97	170 *	170 *
14	100	14	316	1550	1650	-	-	-
		12	277	1080	1200	-	-	-
		10	236	780	880	-	-	-
		8	187	550	590	-	-	-
		6	147	360	360	-	-	-

REGULATION CHARACTERISTIC



AVAILABLE ACCESSORIES: PNEUMATIC OR I/P (STD OR SMART) POSITIONER, REDUCTION FILTER, SOLENOID VALVE, LOCK-UP, LIMIT OR PROXIMITY SWITCHES, BOOSTER, ETC. OTHER SIZES ALSO AVAILABLE ON REQUEST