

MEDIUM INTENSITY



MEDIUM INTENSITY OBSTRUCTION LIGHT



According to ICAO - Annex 14 Medium Intensity Obstruction Lights - Type A Ex, B Ex or C Ex - have to be used where the obstacle is particularly large and the height of the surrounding ground is more than 45m in hazardous areas.

Medium Intensity Obstacle Lights Type A Ex and C Ex have to be used alone, whereas Medium Intensity Obstacle Lights, Type B Ex, should be used either alone or in combination with Low Intensity Obstacle Lights, Type B Ex.

The Medium Intensity Obstruction Lights Type A Ex is white flashing.

The Medium Intensity Obstruction Lights Type B Ex is red flashing.

The Medium Intensity Obstruction Lights Type C Ex is red steady burning.



MEDIUM INTENSITY

MIOL-AB Ex / MIOL-AC Ex



IP66

* in option

Patented Beacon: **EU 001929910-0001; Canada 145 189; USA D673,474; Turkey TR2012 05662.**

Medium Intensity Obstruction Light is compliant to ICAO (Medium Intensity – Type A + Type B/C), FAA (Type L-865 / L-866+L864) and certified ATEX.

Thanks to a **lifetime >10 years** and a **low power consumption**, this beacon is the ideal solution for an **efficient, lightweight** and **compact** obstacle signalling.

MIOL-AB Ex / MIOL-AC Ex emits **white flashing light for day** mode and **red light for night mode** (flashing for Type AB Ex or steady burning for Type AC Ex).

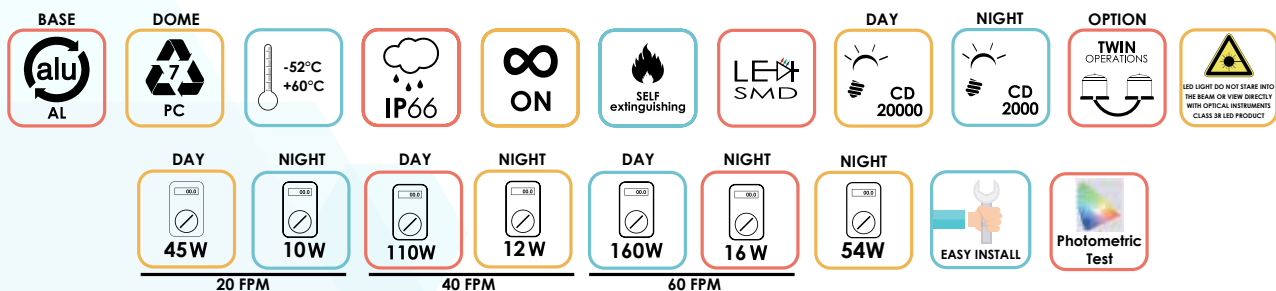
CERTIFICATIONS



COMPLIANCE



FEATURES



APPLICATION



MEDIUM INTENSITY

MIOL-AB Ex and MIOL-AC Ex TECHNICAL SPECIFICATIONS

OPTICAL FEATURES

- Based on LED technology
- 20.000cd day mode, WHITE light
- 2.000cd night mode, RED light
- Cd emission @ -0,5° and +4°
- Horizontal beam radiation 360°
- Vertical beam spread 4°
- PMMA lens
- Light output alignment device
- ATEX execution: Ex II 2GD Ex de IIC T4 Gb
Ex tb IIIC T135°C Db IP66
- IECEx execution: Ex db e IIC T4 Gb
Ex tb IIIC T135°C Db IP66

GENERAL OPTION

- Dual AB: white flash on day, red flash on night
- Dual AC: white flash on day, red steady burning on night
- Horizontal beam radiation: 180°
- Power supply AC or DC
- GPS (Global Position System) Sincro

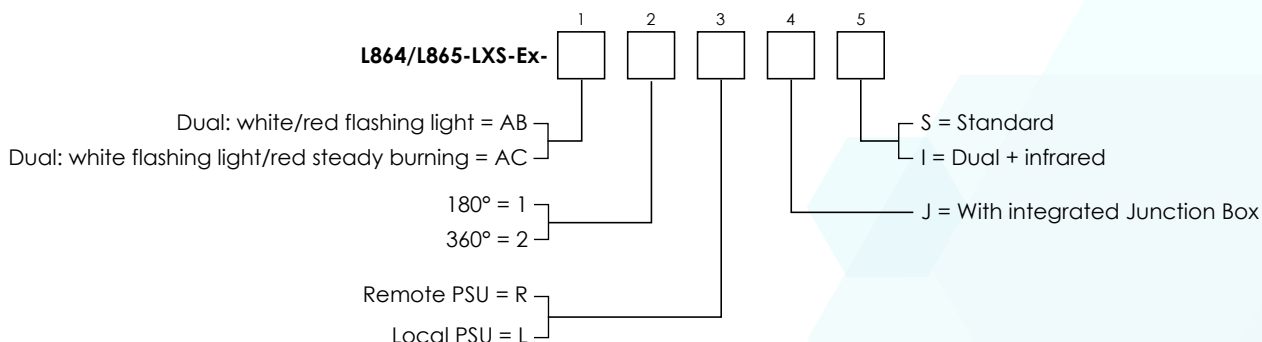
INFRARED VERSION OPTIONS

- IR Wavelength - 850nm

MECHANICAL FEATURES

- Borosilicate glass cover protection
- RAL 7035 painted aluminium body lamp
- Silicon gasket
- Degree of protection: IP66
- Operatig temp.: -52°C to +60°C
- Storage temperature: -52°C to +60°C
- Lamp unit weight: 16kg

ORDER CODE



APPLY TO

- Stack - Chimney - Tower crane
- Offshore Platform
- Chemical and petrochemical plant

ELECTRICAL FEATURES

- Alarm/remote status control
- Electronic Control parts installed outside the beacon (see pag. 18)
- Average power consumption:
 - @20fpm day mode: 45W (Miol-AB/Miol-AC)
 - @20fpm night mode: 10W (Miol-AB)
 - @40fpm day mode: 110W (Miol-AB/Miol-AC)
 - @40fpm night mode: 12W (Miol-AB)
 - @60fpm day mode: 160W (Miol-AB/Miol-AC)
 - @60fpm night mode: 16W (Miol-AB)
 - night mode (luce fissa) Miol-AC: 50W
- LED feeded at constant current
- Lightning protection
- No RF-radiations
- Range section of connectable conductors: da 0,5 a 2,5 mm²

CERTIFICATIONS

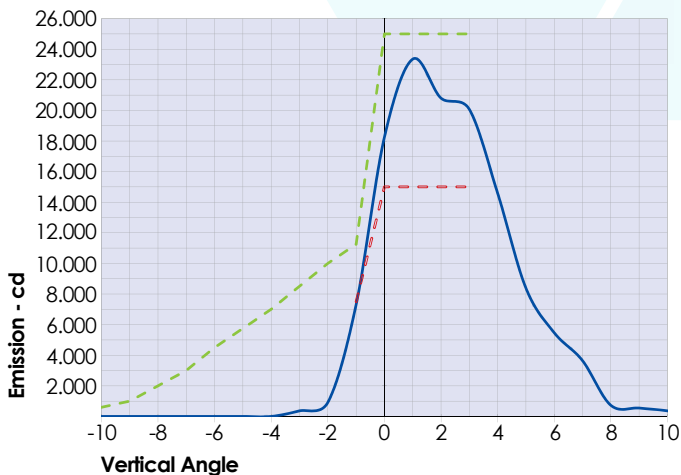
- ATEX certificate no. INERIS 01ATEX0019x
- ENAC approvazione nr. 0135182/ENAC/CIA
- DGAC/STAC approval nr. 2013A037
- IECEx certificate no. IECEx INE_15.0031X
- CE marking

COMPLIANCE

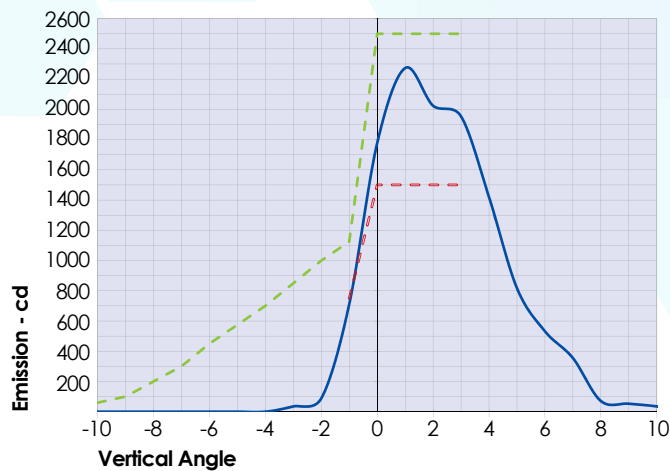
- ICAO Aerodromes - Annex 14 Vol.1, Ch. 6: Medium intensity, Type B flashing obstacle light MIOL-AB type, Type AC flashing/steady burning obstacle light MIOL-AC Type
- FAA AC150/5345-43F E.B. #67 Lamp type Dual L-864/L-865

MEDIUM INTENSITY

MIOL-AB Ex and MIOL-AC Ex TECHNICAL SPECIFICATIONS

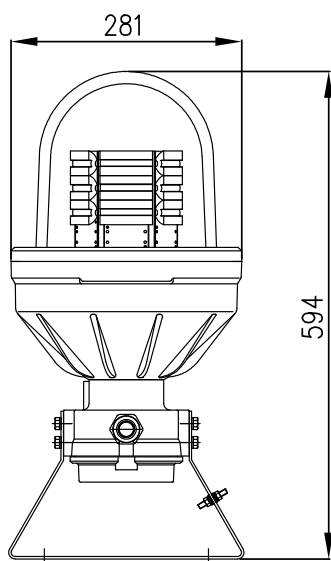


- L865-LXS-Ex-A average emission level at 90°C ambient temp.
- ICAO ANNEX 14 medium intensity type A Min. Required Intensity
- ICAO ANNEX 14 medium intensity type A Max. Required Intensity

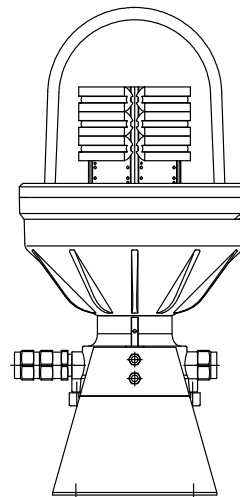


- L864-LXS-Ex-B average emission level at 90°C ambient temperature
- ICAO ANNEX 14 medium intensity type B/C Min. Required Intensity
- ICAO ANNEX 14 medium intensity type B/C Max. Required Intensity

BEACON FRONT VIEW



BEACON SIDE VIEW



FIXING DETAILS

