

UMT 1

Measuring Transducer

APPLICATIONS

The UMT 1 is a measuring transducer for true RMS values. The UMT 1 can measure an electrical three-phase system with current and voltage measuring inputs. The primary measured values are calculated and displayed on the two-line, 16 character LC Display, and also transmitted by either analog outputs (configurable as -20 to 20 mA, 0 to 20 mA, or 4 to 20 mA) or a communication interface to a higher level-control system.

The primary measured values of voltage and current are used to calculate the values for real, reactive, and apparent power, power factor (cosphi), kWh, and kvarh. The kWh and kvarh can also be transmitted by using an pulse output.

The list of measured values includes

- Measured
 - Voltage
 - § Wye: $V_{L1N} / V_{L2N} / V_{L3N}$
 - § Delta: $V_{L12} / V_{L23} / V_{L31}$
 - Frequency f_{L123}
 - Current $I_{L1} / I_{L2} / I_{L3}$
- Calculated
 - Average voltage $V_{\emptyset L123} / V_{min} / V_{max}$
 - Average current $I_{\emptyset L123} / I_{min} / I_{max}$
 - Real power $P_{Total} / P_{L1} / P_{L2} / P_{L3}$
 - Reactive power Q_{total}
 - Apparent power S_{total}
 - Power factor $\cos\phi_{L1}$
 - Active energy kWh_{positive/negative}
 - Reactive energy kvarh_{leading/lagging}

DESCRIPTION

There are different UMT 1 packages to choose from:

Package UMT 1/A3

- 3x true RMS voltage sensing
- 3x true RMS current sensing
- Class 0.5 accuracy
- 3 config. analog outputs (20 mA)
- 1 config. pulse output for kWh/kvarh
- Two-line LC display

Package UMT 1/A3SU

- 3x true RMS voltage sensing
- 3x true RMS current sensing
- Class 0.5 accuracy
- 3 config. analog outputs (20 mA)
- 1 config. pulse output for kWh/kvarh
- Two-line LC display
- [RS-485/Modbus RTU](#)

Package UMT 1/A6

- 3x true RMS voltage sensing
- 3x true RMS current sensing
- Class 0.5 accuracy
- 6 config. analog outputs (20 mA)
- 1 config. pulse output for kWh/kvarh
- Two-line LC display

- True RMS sensing
- Class 0.5 accuracy
- All values displayed on LCD and through 20 mA analog output
- Front panel configurable¹⁾
- Microprocessor technology for accurate, repeatable and reliable operation
- Optional wiring configurations for either single phase, three phase, or a combination of both
- RS-485 Modbus RTU Slave communication
- UL/cUL Listed
- CE marked

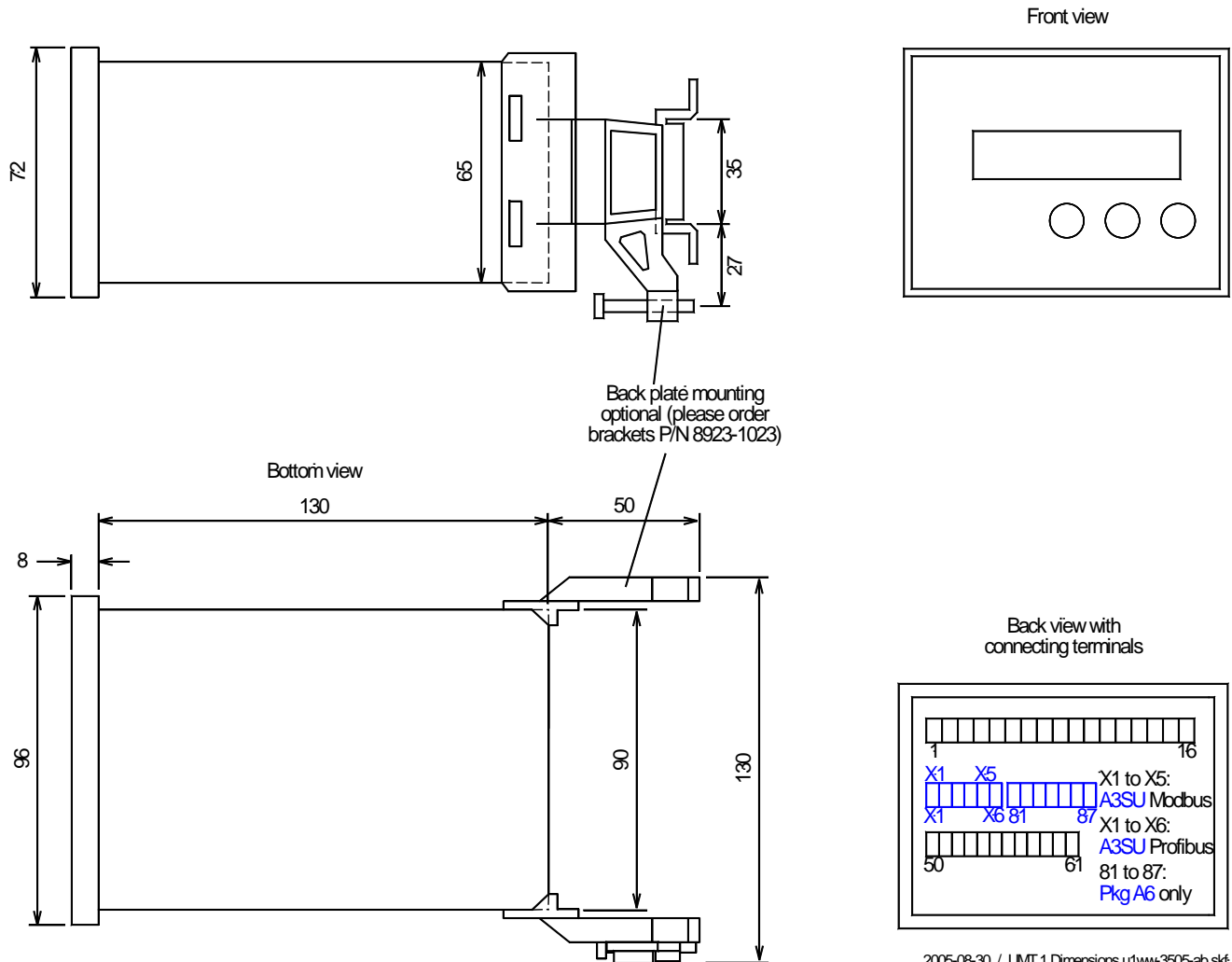
¹⁾ Remote configuration via PC is not available

SPECIFICATIONS

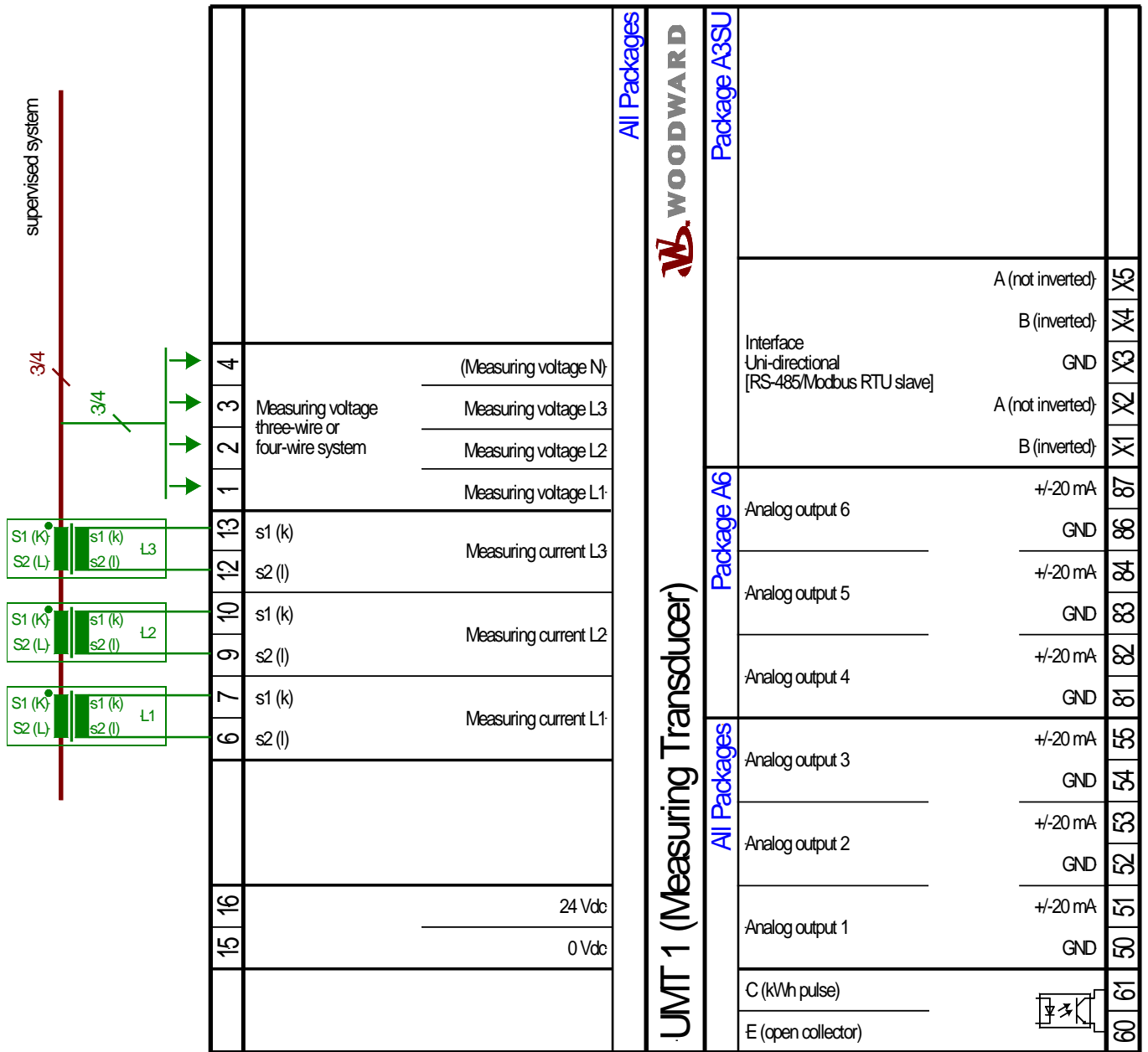
Accuracy	Class 0.5	
Power supply	24 Vdc (18 to 30 Vdc)	
Intrinsic consumption	max. 10 W	
Ambient temperature (operation)	-20 to 70 °C	
Ambient humidity	95 %, non-condensing	
Voltage	Rated value $\sqrt{I/D}$:	[1] 66/115 Vac or [4] 230/400 Vac
	Maximum value (V_{max}):	[1] 150 Vac or [4] 300 Vac
	Rated voltage $V_{ph-ground}$:	[1] 150 Vac or [4] 300 Vac
	Rated surge voltage:	[1] 2.5 kV or [4] 4.0 kV
Measuring frequency	40 to 80 Hz	
Linear measuring range	$1.3 \times V_{rated}$	
Input resistance	[1] 0.21 MW, [4] 0.7 MW	
Max. power consumption per path	0.15 W	
Current (I_{rated})	[1] ..1 A, [5] ..5 A	
Linear measuring range	$1.5 \times I_{rated}$	
Max. power consumption per path	< 0.15 VA	
Rated short-time current (1 s)	[1] $50 \times I_{rated}$, [5] $10 \times I_{rated}$	
Pulse outputs	transistor output	
Rated gate voltage	24 Vdc	
Maximum gate voltage	32 Vdc	
Minimum gate current	10 mAdc	
Maximum gate current	30 mAdc (0.5 Vdc)	

Analog output	isolated
Type	-20/0/4 to 20 mA, freely scaleable
Resolution PWM	12 Bit
Max. load	500 W
Housing	Type APRANORM DIN 43 700
Dimensions	96×72×130 mm
Front cutout	91[+1.0]×67[+0.7] mm
Connection	screw/plug terminals depending on connector 1.5 mm ² or 2.5 mm ²
Front	insulating surface
Protection system	with correct installation
	Front
	IP42
	(sealed IP54: gasket kit = P/N 8923-1036)
	Back
	IP21
Weight	depending on version, approx. 800 g
Disturbance test (CE)	tested according to applicable EN guidelines
Listings	UL/cUL listed (File No.: E231544)

DIMENSIONS



WIRING DIAGRAM



Subject to technical modifications.

2006-03-13 | UMT 1 Wiring Diagram u1ww-1106-ep.skf

PART NUMBERS

UMT 1 Series Measuring Transducer Packages	UMT 1/A3	UMT 1/A3SU RS-485 Modbus RTU Slave	UMT 1/A6
100 V, ../1A	-	8444-1022	LR 21296
100 V, ../5A	-	8444-1002	8444-1019
400 V, ../1A	-	-	LR 21159
400 V, ../5A	LR 20949	8444-1009	8444-1057

International
 Woodward
 PO Box 1519
 Fort Collins CO, USA
 80522-1519
 1000 East Drake Road
 Fort Collins CO 80525
 Ph: +1 (970) 498-3634
 Fax: +1 (970) 498-3058
 email:
 SalesPGD_NAandCA@woodward.com

Europe
 Woodward GmbH
 Handwerkstrasse 29
 70565 Stuttgart, Germany
 Ph: +49 (0) 711 789 54-510
 Fax: +49 (0) 711 789 54-101
 email:
 SalesPGD_EMEA@woodward.com

Distributors & Service
 Woodward has an international network of distributors and service facilities. For your nearest representative, call the Fort Collins plant or see the Worldwide Directory on our website.

www.woodward.com

For more information contact:

Subject to technical modifications.

This document is distributed for informational purposes only. It is not to be construed as creating or becoming part of any Woodward Governor Company contractual or warranty obligation unless expressly stated in a written sales contract.

We appreciate your comments about the content of our publications. Please send comments including the document number below to stgt-doc@woodward.com

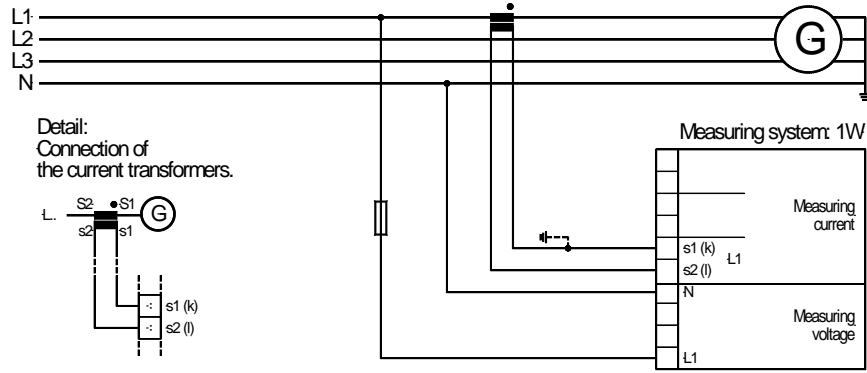
© Woodward

All Rights Reserved

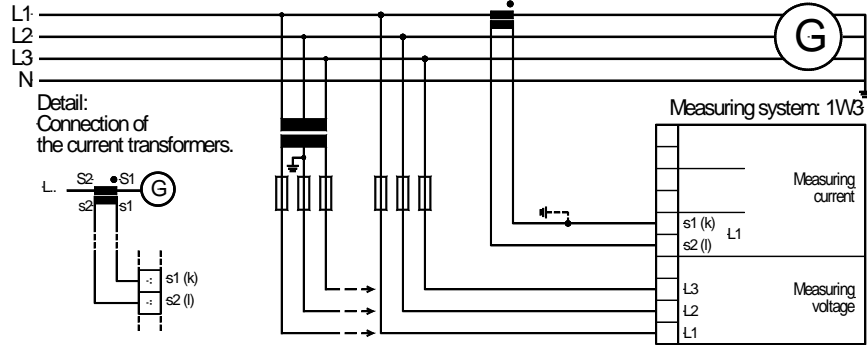
37168E - 2012/6/Stuttgart

TYPICAL APPLICATIONS (configurable)

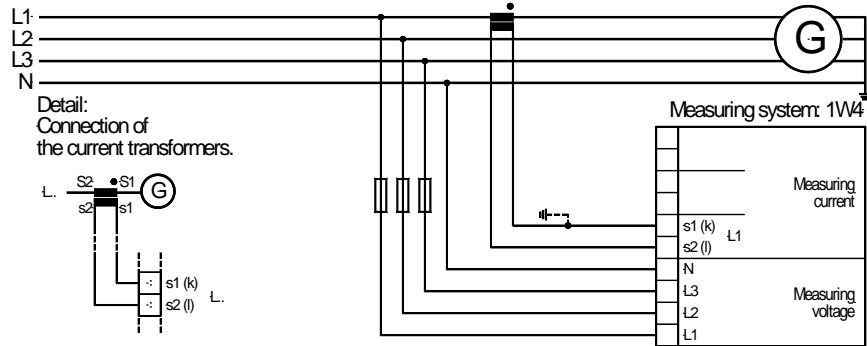
Measuring system 1W3



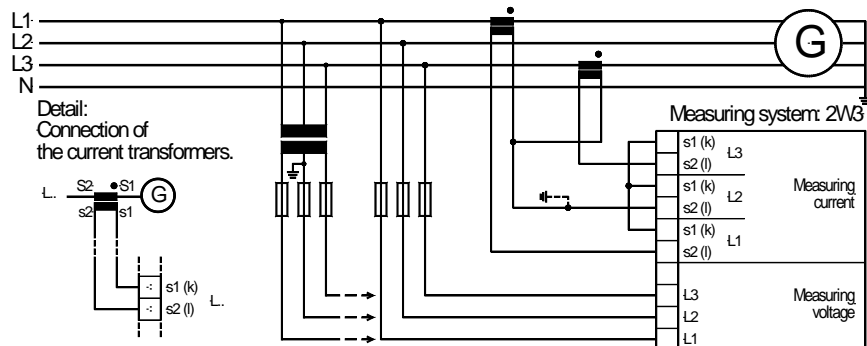
Measuring system 1W4



Measuring system 2W3



Measuring system 2W4



Measuring system 1W3

