



Installation: hazardous areas - Zone 1 / 2 (Gases) - Zone 21 / 22 (Dusts)

Classification: Group II - Category 2G 2D



REFERENCE STANDARDS

Directive 2014/34/EU

EXECUTION	<ul style="list-style-type: none"> ⊗ Ex II 2 G Ex d IIC T6/T5/T4 Gb ⊗ Ex II 2 D Ex tb IIC T85°C/T100°C/T135°C Db
RULES OF COMPLIANCE	EN/IEC 60079-0, EN/IEC 60079-1, EN/IEC 60079-31
EC Type-Examination Certificate	INERIS 18 ATEX 0014X
PROTECTION DEGREE	IP66
AMBIENT TEMPERATURE	-60°C ÷ +60°C
OTHER AVAILABLE CERTIFICATES	IECEx: IECEx INE18.0008X EAC: TC RU C-IT.Г508.B.01324 INMETRO: CEPTEL 14.2324X RUSSIAN MARINE CERTIFICATE (RMRS): 13.03526.315

Mechanical characteristics

Body	marine grade copper free aluminium light alloy
Cover	marine grade copper free aluminium light alloy
Screws	stainless steel
Pins	brass



On Request Accessories:

- External epoxy painting with colour on request
- Cable entries with different threads from standards

Technical Features

CODE	A [mm]	B [mm]	C [mm]	D [mm]	E [mm]	Ø F [mm]	Ø G [mm]	FIXING HxL [mm]	TEMPERATURE CLASS (GAS)	TEMPERATURE CLASS (DUSTS)	WEIGHT [Kg]	DETAIL
CPSC/CPH	195	370	113	155	140	3/4"NPT	1"NPT	92-90	T6 (Ta -60°C ÷ +40°C) T5 (Ta -60°C ÷ +60°C)	T85°C T100°C	2,8	A
FSQC/BPA	230	415	155	200	163	1"NPT	1"NPT	125-80	T6 (Ta -60°C ÷ +40°C) T5 (Ta -60°C ÷ +55°C) T4 (Ta -60°C ÷ +60°C)	T85°C T100°C T135°C	4,0	B
FSQC125/BP125	380	615	275	305	225	-	1 1/2" NPT	308x270	T6 (Ta -60°C ÷ +60°C)	T85°C	15,5	C

INTERLOCKED SOCKET AND PLUGS				
SOCKET CODE	PLUG CODE	POLES	VOLTAGE (50/60Hz)	CURRENT
CPSC212-25A	CPH212-25A	2P+T (PE)	12V	16A-25A
CPSC224-25A	CPH224-25A	2P+T (PE)	24V	16A-25A
CPSC248-25A	CPH248-25A	2P+T (PE)	48V	16A-25A
CPSC211-25A	CPH211-25A	2P+T (PE)	110/130V	16A-25A
CPSC222-25A	CPH222-25A	2P+T (PE)	220/250V	16A-25A
CPSC338-25A	CPH338-25A	3P+T (PE)	380/500V	16A-25A
CPSC438-25A	CPH438-25A	3P+N+T (PE)	380/500V	16A-25A

INTERLOCKED SOCKETS AND PLUGS WITH CIRCUIT BREAKER				
SOCKET CODE	PLUG CODE	POLES	VOLTAGE (50/60Hz)	CURRENT
FSQCA235	BPA235	2P+T (PE)	220/250V	32A
FSQCA335	BPA335	3P+T (PE)	380/400V	32A
FSQCA260	BPA260	2P+T (PE)	220/250V	63A
FSQCA360*	BPA360	3P+T (PE)	380/400V	63A

*Threaded hole ØF: 1-1/2" NPT

INTERLOCKED SOCKETS AND PLUGS WITH ON-LOAD SWITCH				
SOCKET CODE	PLUG CODE	POLES	VOLTAGE (50/60Hz)	CURRENT
FSQC235	BPA235	2P+T (PE)	220/250V	32A
FSQC335	BPA335	3P+T (PE)	380/500V	32A
FSQC435	BPA435	3P+N+T (PE)	380/500V	32A
FSQC260	BPA260	2P+T (PE)	220/250V	63A
FSQC360*	BPA360	3P+T (PE)	380/500V	63A
FSQC460*	BPA460	3P+N+T (PE)	380/500V	63A

*Threaded hole ØF: 1-1/2" NPT

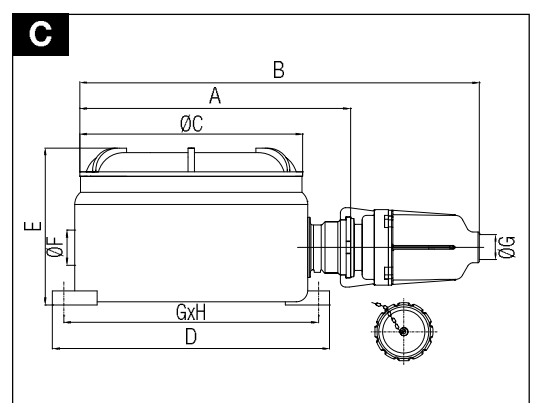
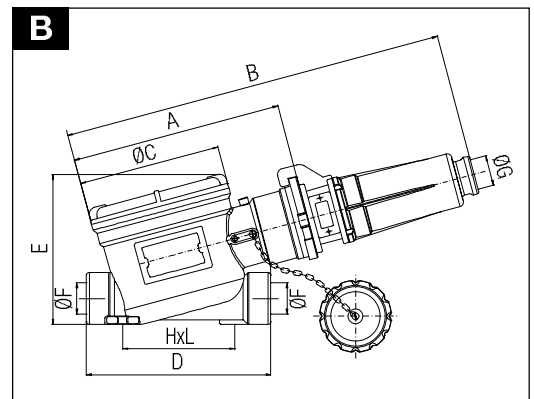
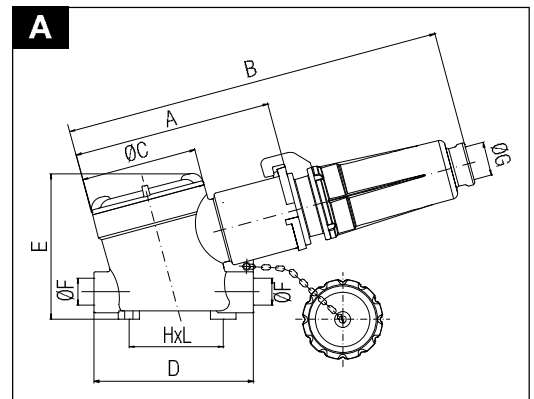
125A INTERLOCKED SOCKETS AND PLUGS				
SOCKET CODE	PLUG CODE	POLES	VOLTAGE (50/60Hz)	CURRENT
FSQC125-3	BP125-3	3P+T (PE)	380/500V	125A
FSQC125-4	BP125-4	4P+T (PE)	380/500V	125A

Sockets and plugs colour marking for industrial applications

NOMINAL WORKING VOLTAGE	COLOUR
20-25V	VIOLET
40-50V	WHITE
100-130V	YELLOW
200-250V	BLUE
380-480V	RED
480-500V	BLACK

REMARK:

Due to the development of the national and international specifications and of the technology, the above technical characteristics showed on this bulletin can be considered as binding on our confirmation only.





Installation: hazardous areas - Zone 1 / 2 (Gases) - Zone 21 / 22 (Dusts)
Classification: Group II - Category 2G 2D



REFERENCE STANDARDS

Directive 2014/34/EU

EXECUTION	<ul style="list-style-type: none"> ⊗ Ex II 2 G Ex db IIC T5 Gb ⊗ Ex II 2 D Ex tb IIIC T100°C Db
RULES OF COMPLIANCE	EN/IEC 60079-0, EN/IEC 60079-1, EN/IEC 60079-31
EC Type-Examination Certificate	INERIS 18 ATEX 0016X
PROTECTION DEGREE	IP66
AMBIENT TEMPERATURE	-60°C ÷ +60°C
OTHER AVAILABLE CERTIFICATES	IECEx: IECEx INE 18.0010X EAC: TC RU C-IT.ГБ08.B.01324 (-60°C ÷ +60°C) RUSSIAN MARINE CERTIFICATE (RMRS): 13.03526.315

Mechanical characteristics

Body	marine grade copper free aluminium light alloy
Cover	marine grade copper free aluminium light alloy
Screws	stainless steel
Pins	brass



On Request Accessories:

- External epoxy painting with colour on request
- Cable entries with different threads from standards

Technical Features

CODE	A [mm]	TEMPERATURE CLASS (GAS)	TEMPERATURE CLASS (DUSTS)	WEIGHT [Kg]	DETAIL
CPSCP*/CPH	243	T6	T85°C	1,50	A
FSQCP*/BP	255	T6	T85°C	2,00	B
FSQCP125*/BP125	310	T6	T85°C	5,00	C

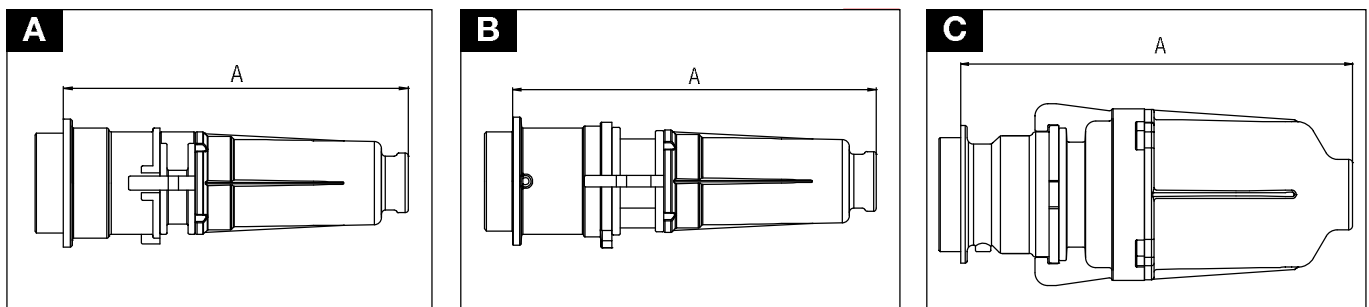
*WITHOUT ENCLOSURE (TO BE ORDERED SEPARATELY)

INTERLOCKED SOCKETS			
SOCKET CODE	POLES	VOLTAGE (50/60Hz)	CURRENT
CPSCP224	2P+T (PE)	24V	16A
CPSCP224-25A	2P+T (PE)	24V	25A
CPSCP248	2P+T (PE)	48V	16A
CPSCP248-25A	2P+T (PE)	48V	25A
CPSCP211	2P+T (PE)	110/130V	16A
CPSCP211-25A	2P+T (PE)	110/130V	25A
CPSCP222	2P+T (PE)	220/250V	16A
CPSCP222-25A	2P+T (PE)	220/250V	25A
CPSCP338	2P+T (PE)	380/500V	16A
CPSCP338-25A	3P+T (PE)	380/500V	25A
CPSCP438-25A	3P+N+T (PE)	380/500V	25A

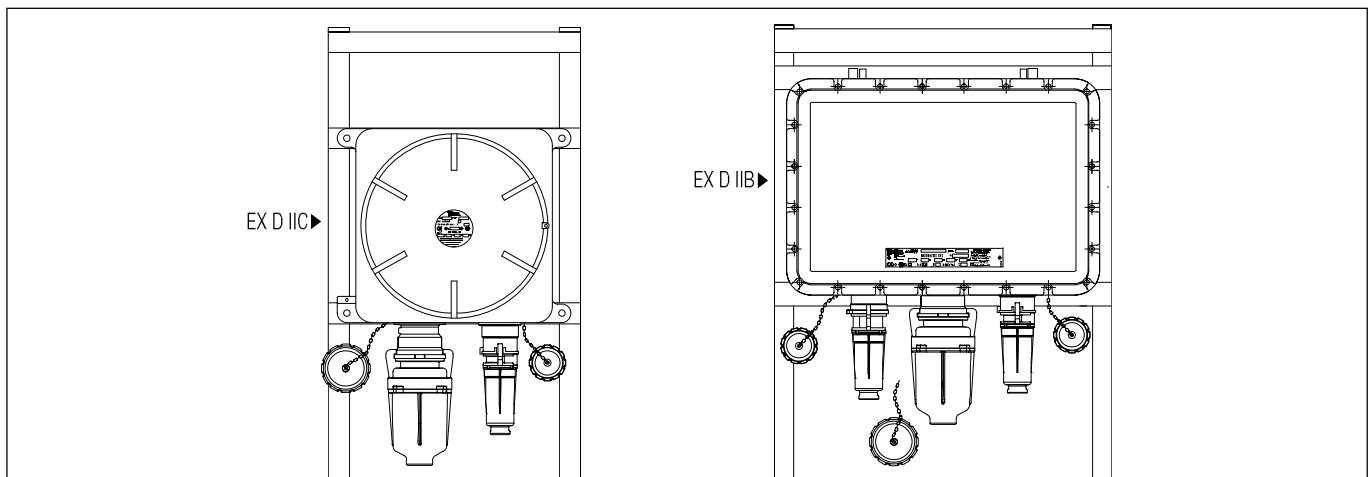
INTERLOCKED SOCKETS WITH CIRCUIT BREAKER			
SOCKET CODE	POLES	VOLTAGE (50/60Hz)	CURRENT
FSQCP235	2P+T (PE)	220/250V	32A
FSQCP335	3P+T (PE)	380/415V	32A
FSQCP435	4P+T (PE)	380/500V	32A
FSQCP260	2P+T (PE)	220/250V	63A
FSQCP360	3P+T (PE)	380/500V	63A
FSQCP460	4P+T (PE)	380/500V	63A

125A INTERLOCKED SOCKETS AND PLUGS				
SOCKET CODE	PLUG CODE	POLES	VOLTAGE (50/60Hz)	CURRENT
FSQCP125-3	BP125-3	3P+T (PE)	380/500V	125A
FSQCP125-4	BP125-4	4P+T (PE)	380/500V	125A

NOTE: Please refer to cpsc/fsqc bulletin for industrial application sockets and plugs colour marking



Typical assembling



REMARK:

Due to the development of the national and international specifications and of the technology, the above technical characteristics showed on this bulletin can be considered as binding on our confirmation only.